

## The installation of gazebo

The gazebo series is a typical style of our products, it can not only be applied to the courtyard of private house, but also can be used on large-scale landscape in public places. The gazebo has multiple design, such as double-beam gazebo, single-beam gazebo, single-blade gazebo, double-blade gazebo, etc. We choose one style to give a brief introduction.

The installation steps are as following:

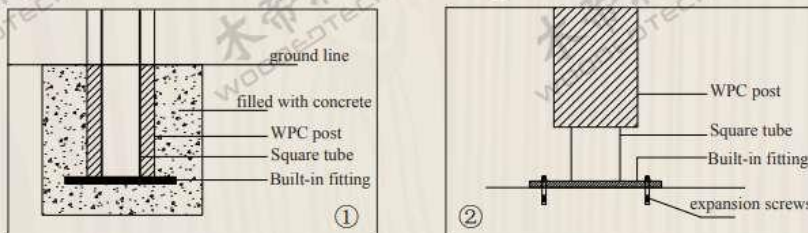
1. There are two ways to connect the post to the ground:

### ① Embedded

Dig a hole on the ground, the size of which is greater than the diameter of the post, and the depth is  $\geq 300\text{mm}$ .

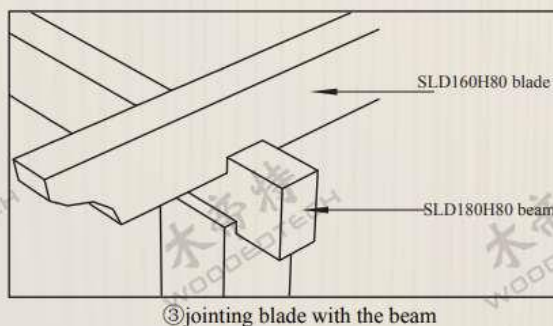
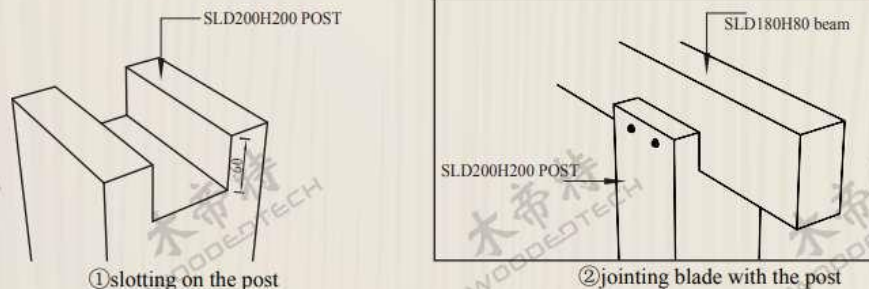
### ② non-embedded

Welding the lining steel with built-in fitting, and fix it on cement ground with 4 inflation screws, and then install the post.



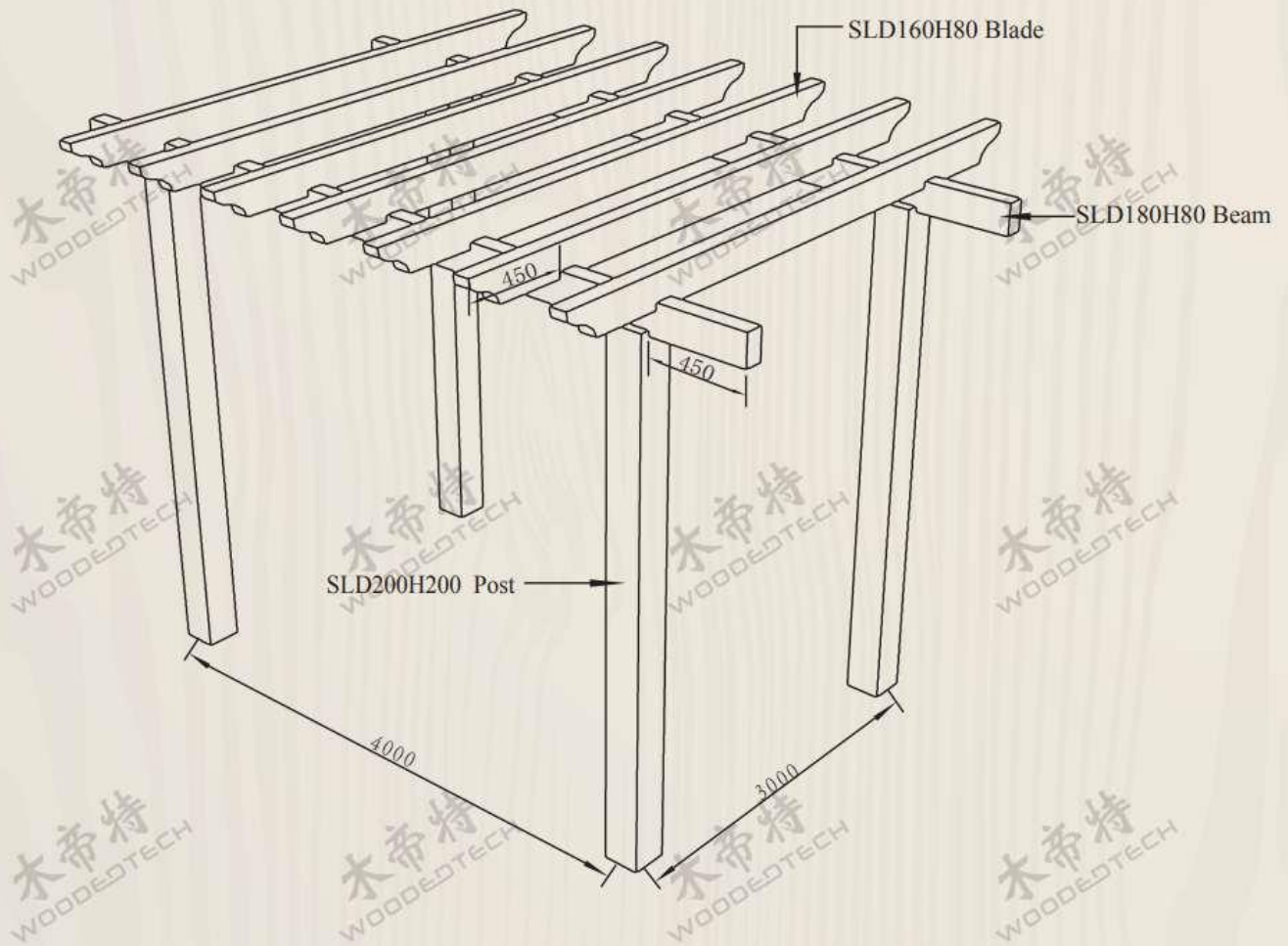
2. Fix the post to the ground. Insert the welded square tube and built-in fitting into the cavity of post, and put them together into the hole, then fill it up with concrete sand.

3. The connection of post and beam. Open slot on the top of the post, and the depth of which is about: 60mm-100mm. Then insert the beam into the slot and fix it with the adapter lug.



4. The connection of beam and blade. Open slot (40mm-60mm) at the jointing place of the beam and blade, then pin the blade to the beam, and then use the self-drilling screw to fix the jointing place of them from the top.

5. Tail- in work. When the whole installation work is finished, what you should do is to check if they are in the same horizontal level, deal with the surface defect, etc.



Attentions: the dimension of the the general gazebo is: length-4000mm, width-3000mm.

- ① post: the height is around 2800mm.
- ② beam: the span is around 4500mm, and leave 450mm at both ends.
- ③ blade: the whole span is around 3500mm, and the space between them is  $\geq 350$ mm.